



# LeafVac<sup>®</sup>

DEBRIS CONTAINMENT

## Installation Instructions



A&A Manufacturing

Rev. 20200529

© Copyright 2020 A&A Manufacturing. All rights reserved.



## IMPORTANT

Do not backfill around the LeafVac until after the pressure testing is done to ensure there are no leaks at the bottom union.

Do not over tighten unions.

## NOTE:

The LeafVac canister is to be installed in the equipment area immediately in front of the pump.

The LeafVac comes with two union fittings (Figure 2), one for the inlet and another for the outlet. Each union fitting allows for a 2", 2.5" or 3" connection.

## Union Fittings

The union fittings consist of three pieces, the union nut (Figure 1a), the union coupler (Figure 1b) and the union O-ring (Figure 1c). The inside of the union coupler is designed to accept 2.5" pipe, while the outside of the union coupler will accept a 3" pipe fitting (Figure 2c).

The union fittings (Figure 1) supplied with the LeafVac allow the unit to be plumbed with 2" (Figure 2a), 2.5" (Figure 2b) or 3" (Figure 2c), depending on the suction line requirements designated on the A&A Manufacturing Design Layout.

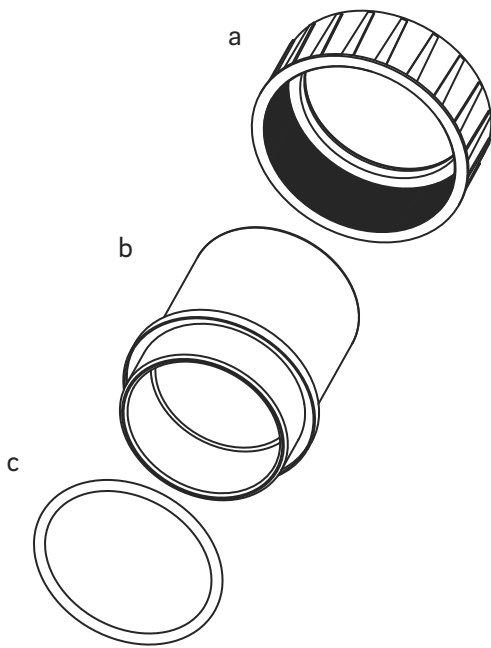


Figure 1

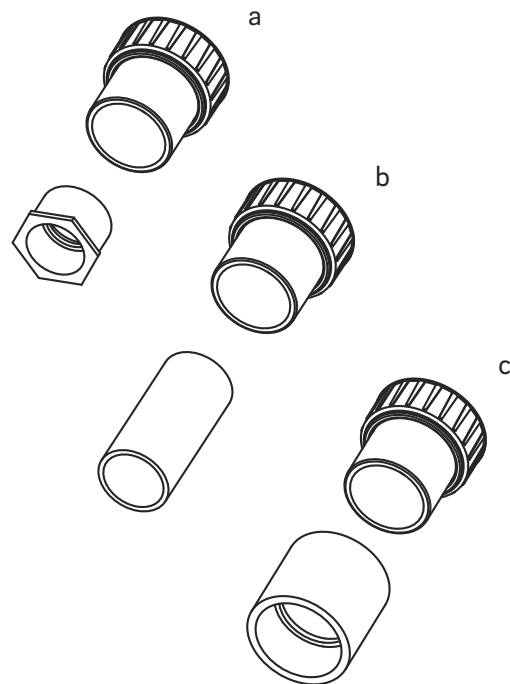


Figure 2

## Dimensions

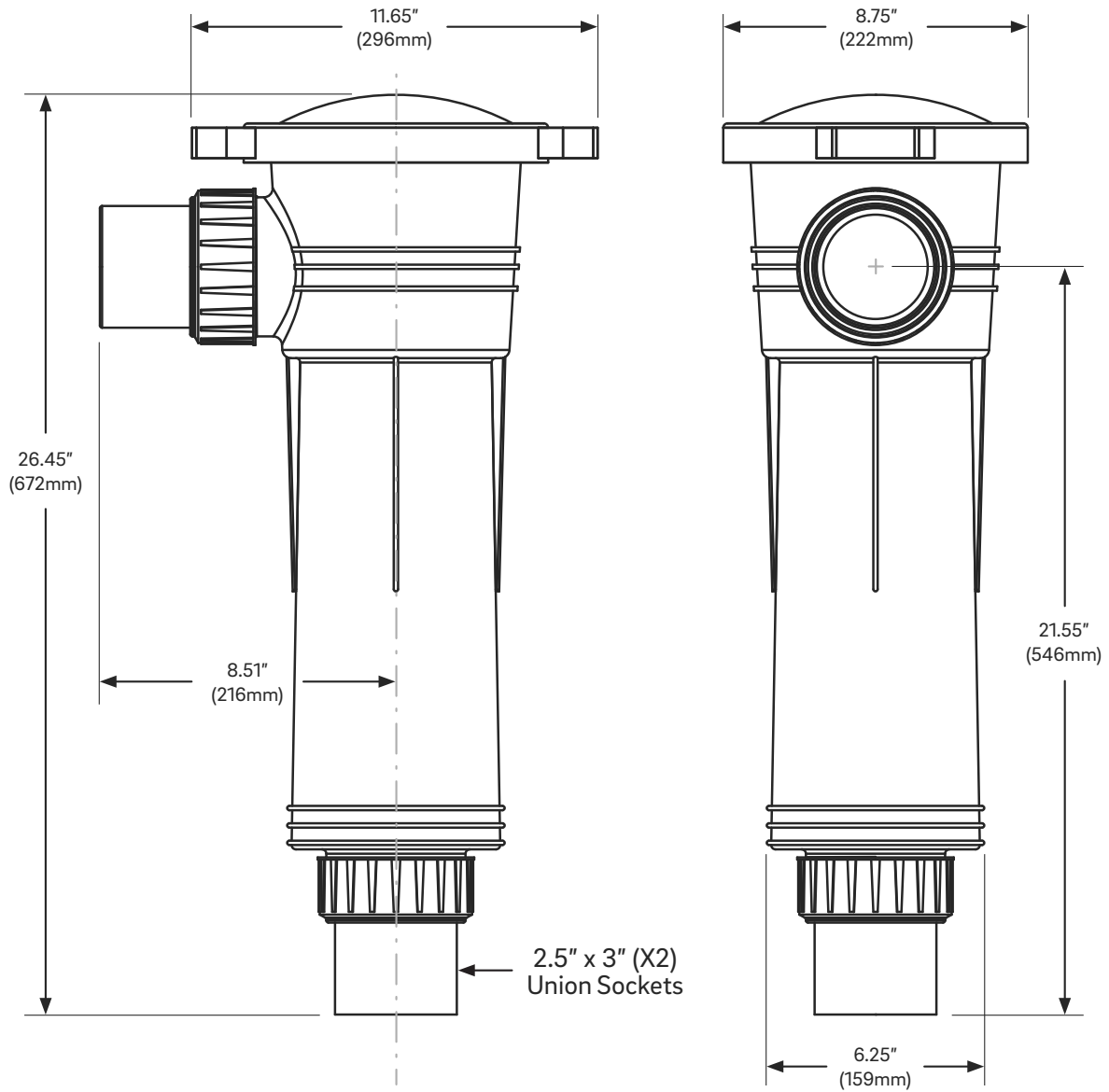


Figure 3

## Plumbing

Using the A&A Manufacturing Design Layout, determine the size of the suction line required for the pool and run it to the equipment area.

Before plumbing begins, make sure that the unions are properly secured to the LeafVac and that the same size pipe is used on both inlet and outlet union fittings.

1. Begin by plumbing from outlet fitting at the bottom of the LeafVac canister to the suction side of the pump, keeping the bottom of the of the LeafVac lid approximately the same height as the pump lid (Figure 4b). It is highly recommended to use 90° sweep elbows, rather than standard 90° elbows. When making the connection between the LeafVac outlet fitting and the pump, always follow the plumbing guildines recommend by the pump's manufacturer.
2. Next, begin the plumbing of the union fitting on inlet side of the LeafVac to the suction line from the pool. When multiple suction lines are used, make sure that they are joined before the inlet side of the LeafVac. This may be accomplished by using a 3-way valve, equal in size or greater than the suction line being used. From this point, the multiple suction lines joined to the 3-way valve, allowing for a single pipe to enter the intlet of the LeafVac (Figure 4a).

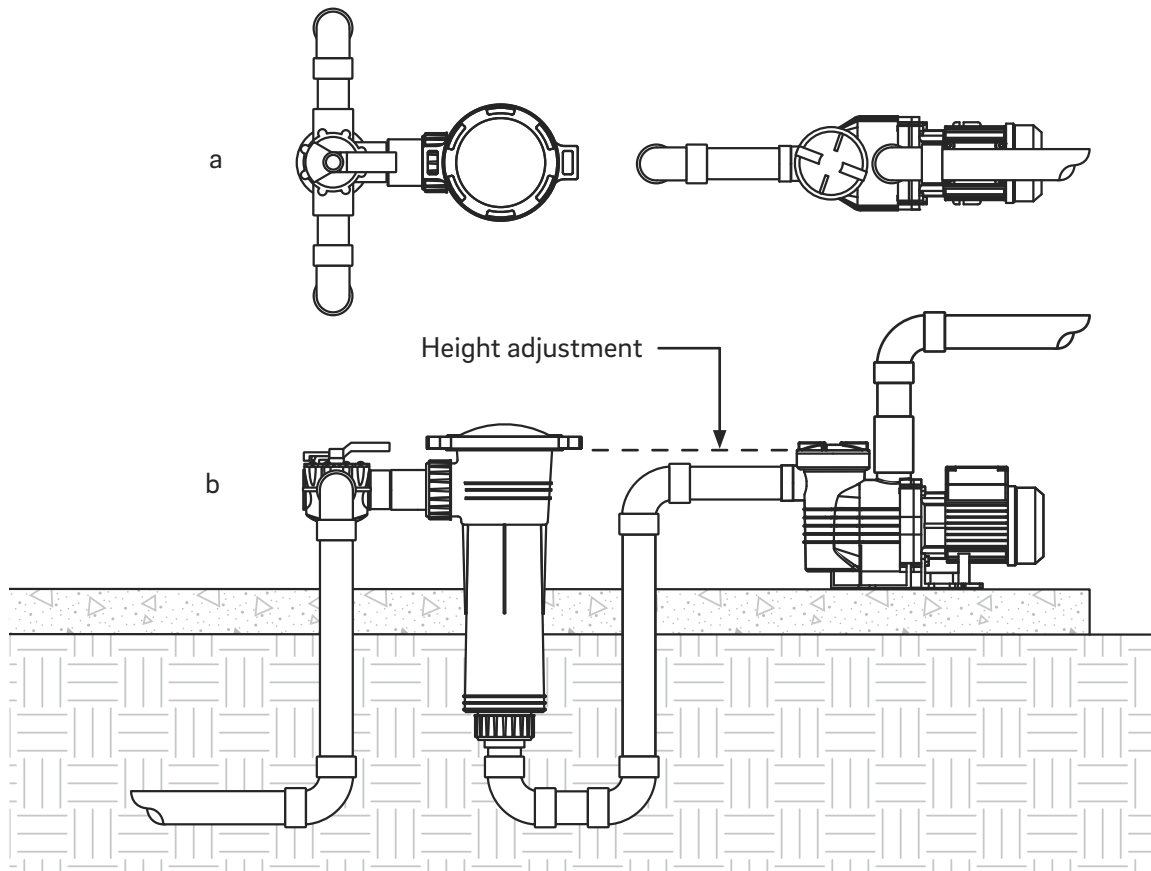


Figure 4



# Limited Warranty

To original purchasers of this equipment, A&A Manufacturing will warrant the LeafVac from defects in materials and workmanship for a period of one year from the date of purchase.

The limited warranty excludes damage from freezing, negligence, improper installation, improper use or care or any Acts of God. Parts that fail or become defective during the warranty period shall be repaired or replaced, at A&A Manufacturing's option, within 90 days of the receipt of defective product, barring unforeseen delays, without charge. Proof of purchase is required for warranty service. In the event proof of purchase is not available, the manufacturing date of the product will be the sole determination of the purchase date. To obtain warranty service, please contact the place of purchase. A&A Manufacturing shall not be responsible for cartage, removal, repair or installation labor or any other such costs incurred in obtaining warranty replacements or repair.

The A&A Manufacturing warranty does not apply to components manufactured by others. For such products, the warranty established by the respective manufacturer will apply. The express limited warranty above constitutes the entire warranty of A&A Manufacturing with respect to its pool products and is in lieu of all other warranties expressed or implied, including warranties of merchantability or fitness for a particular purpose. In no event shall A&A Manufacturing be responsible for any consequential, special or incidental damages of any nature.

**Please retain for your records.**

Date of Installation \_\_\_\_\_





# A&A Manufacturing

## LeafVac Warranty Registration Card

Directions: Please Fill out bottom portion completely and mail within 30 days of purchase or register your product online at [www.aamfg.com](http://www.aamfg.com)

Please Mail to:  
ATTN: WARRANTY DEPT,  
A&A Manufacturing  
3750 W Indian School Dr, Phoenix AZ 85019

**PLEASE PRINT CLEARLY**

### Owner Information

First Name \_\_\_\_\_ Last Name \_\_\_\_\_

Street Address \_\_\_\_\_

City \_\_\_\_\_ State \_\_\_\_\_ Zip \_\_\_\_\_

Phone Number \_\_\_\_\_ Purchase Date \_\_\_\_\_

E-Mail Address \_\_\_\_\_

Product Model Number \_\_\_\_\_

### Original Purchase Information

Company Name \_\_\_\_\_

Address \_\_\_\_\_

City \_\_\_\_\_ State \_\_\_\_\_ Zip \_\_\_\_\_

Phone Number \_\_\_\_\_