

# Whispa

SPA NOISE DAMPENER



## Installation Instructions & User Guide



A&A Manufacturing

Rev. 20200817

© Copyright 2020 A&A Manufacturing. All rights reserved.



# Prior to Installation



## WARNING

The Whispa must be installed by a licensed or certified plumber or a qualified pool professional adhering to all applicable local codes and ordinances.

## IMPORTANT

The installer must read this manual completely before attempting installation. Consult A&A Manufacturing with any question regarding this product. This guide must be left with the pool owner or operator.

ABS to PVC transitional glue must be used between the Whispa body and PVC schedule 40 pipe.

## NOTE:

The Whispa is an aboveground sound reduction device, used on the air supply line for the spa therapies. Using the Whispa in a manner outside of its intended purpose may void the warranty.

## Included

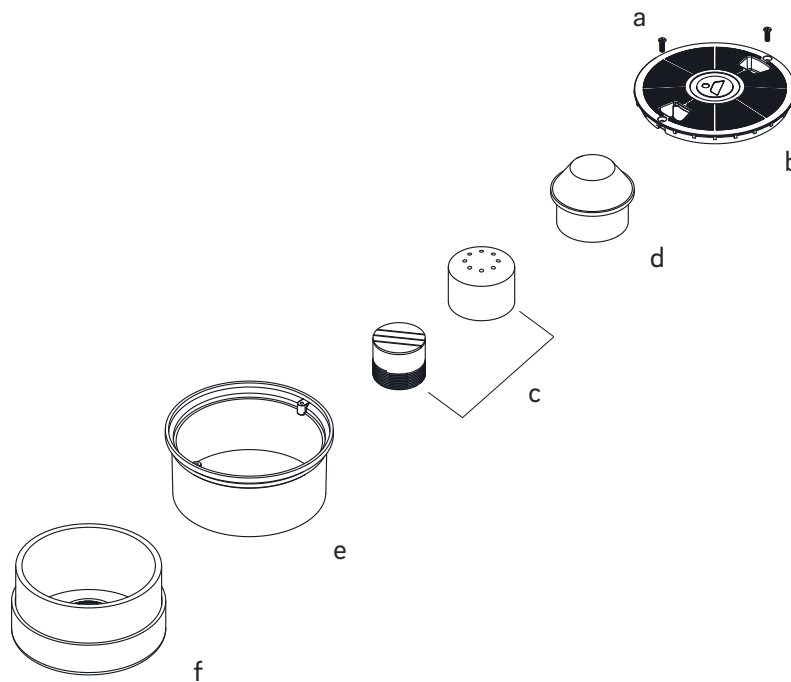


Figure 1

- a. #2 Phillips SS screws (qty 2)
- b. Lid
- c. Air cap

- d. Muffler assembly
- e. Deck ring
- f. Whispa body

## Locating the Whispa

Position the Whispa using the following image (Figure 2).

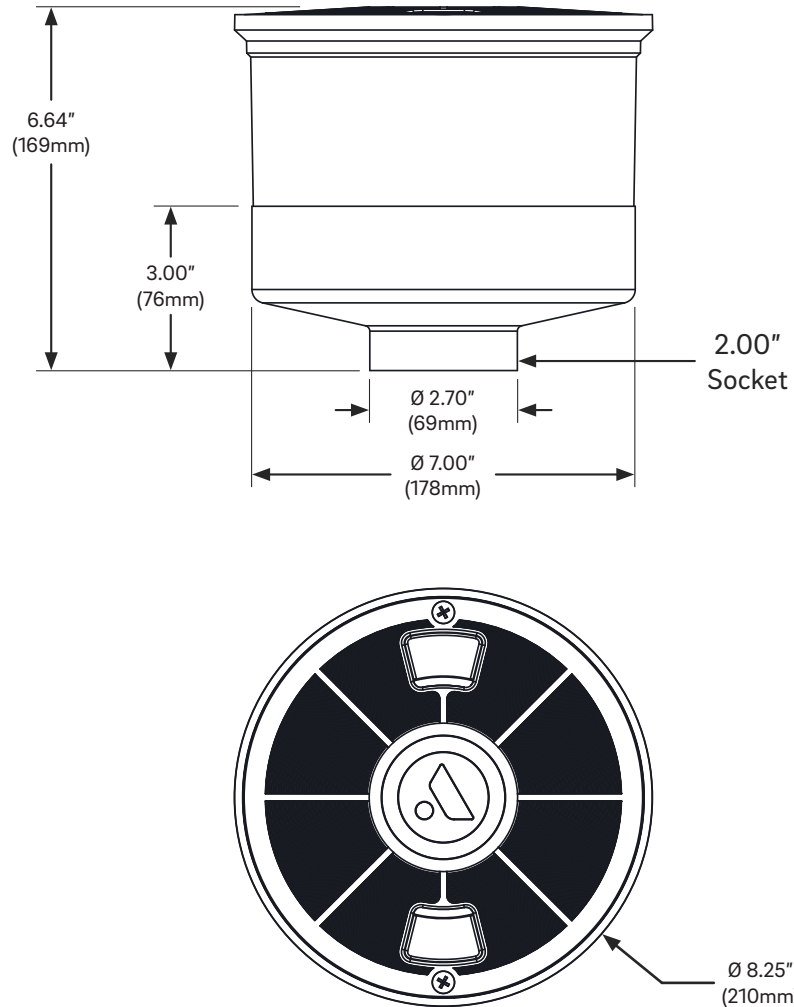


Figure 2

## Precautions

The Whispa is designed to operate within the provided enclosure. If plumbed according to the following procedures, the Whispa will either provide a quieter spa experience from air that is drawn in through the spa therapy jets or eliminate water cooling from a cold air source.

For ease of use, it is recommended that the Whispa be installed near the perimeter of spa, so the occupants have easy access to make any adjustments while the spa is in use. In circumstances where this is not desirable, the Whispa can be placed up to 10 feet away. However, it is the responsibility of the installer to properly calculate the plumbing demands of the system to ensure proper operation.

## IMPORTANT

Be sure to calculate the proper pipe size to feed each feed line. Failure to do so will result in inadequate air supply.

To ensure balanced air flow, the use of a manifold must be utilized.

## NOTE:

DO NOT exceed four therapies per each feed line.

## Plumbing

1. Create a manifold by plumbing a loop for the therapy air lines (Figure 3). When performing the loop on a circular body (Figure 3a), it may be necessary to heat bend the PVC pipe if the natural flex of the pipe is too extreme.

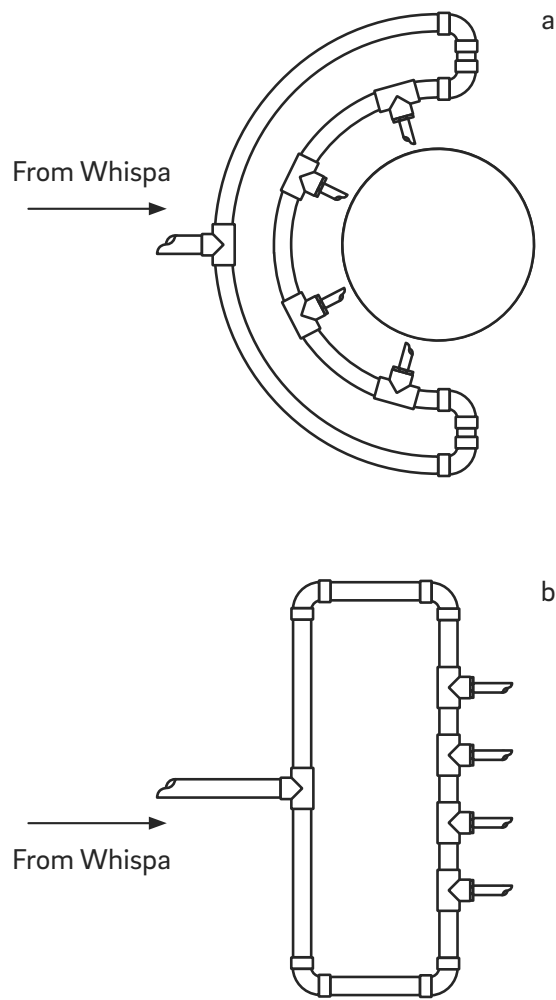


Figure 3

2. To ensure a proper height when using travertine or other thin deck material, make sure the top of the Whispa body is flush with the top of the bond beam (Figure 4a); for poured concrete decks, the top of the Whispa body should be set 2" above the top of the bond beam (Figure 4b). Once the desired height is identified, the glued connection can be made. The lid and decking can be adjusted and set by the deck personnel.

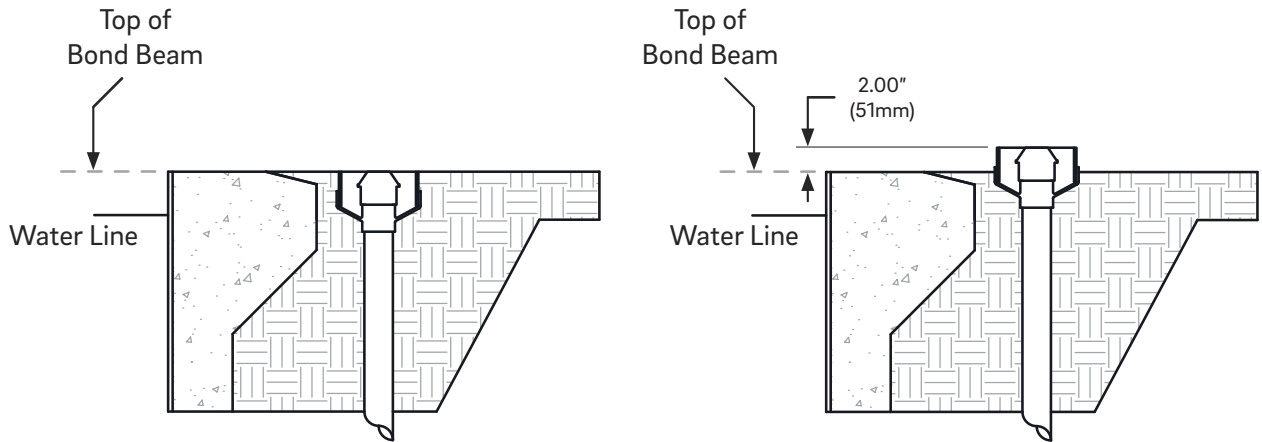


Figure 4

3. The muffler and rubber cap must be removed in order to install a 2" NPT threaded plug for pressure testing.
4. Once the deck is complete, the rubber cap can be placed over the muffler to shut-off air flow to the therapies. This will prevent cold air from cooling the heated water from the therapies (Figure 5).

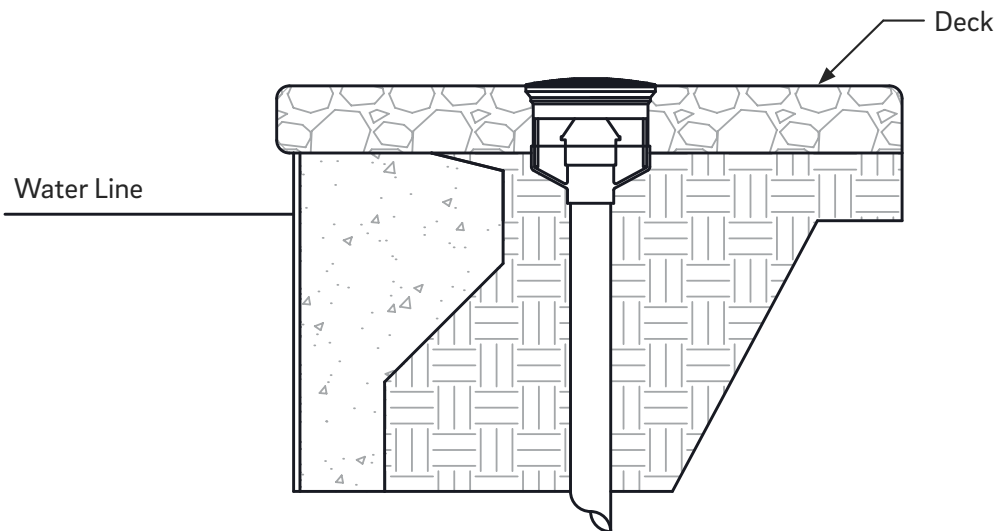


Figure 5



# Limited Warranty

To original purchasers of this equipment, A&A Manufacturing will warrant the Whispa from defects in materials and workmanship for a period of one year from the date of purchase.

The limited warranty excludes damage from freezing, negligence, improper installation, improper use or care or any Acts of God. Parts that fail or become defective during the warranty period shall be repaired or replaced, at A&A Manufacturing's option, within 90 days of the receipt of defective product, barring unforeseen delays, without charge. Proof of purchase is required for warranty service. In the event proof of purchase is not available, the manufacturing date of the product will be the sole determination of the purchase date. To obtain warranty service, please contact the place of purchase. A&A Manufacturing shall not be responsible for cartage, removal, repair or installation labor or any other such costs incurred in obtaining warranty replacements or repair.

The A&A Manufacturing warranty does not apply to components manufactured by others. For such products, the warranty established by the respective manufacturer will apply. The express limited warranty above constitutes the entire warranty of A&A Manufacturing with respect to its pool products and is in lieu of all other warranties expressed or implied, including warranties of merchantability or fitness for a particular purpose. In no event shall A&A Manufacturing be responsible for any consequential, special or incidental damages of any nature.

**Please retain for your records.**

Date of Installation \_\_\_\_\_



# A&A Manufacturing

## Whispa Warranty Registration Card

Directions: Please Fill out bottom portion completely and mail within 30 days of purchase or register your product online at [www.amfg.com](http://www.amfg.com)

Please Mail to:  
ATTN: WARRANTY DEPT,  
A&A Manufacturing  
3750 W Indian School Dr, Phoenix AZ 85019

**PLEASE PRINT CLEARLY**

### Owner Information

First Name \_\_\_\_\_ Last Name \_\_\_\_\_

Street Address \_\_\_\_\_

City \_\_\_\_\_ State \_\_\_\_\_ Zip \_\_\_\_\_

Phone Number \_\_\_\_\_ Purchase Date \_\_\_\_\_

E-Mail Address \_\_\_\_\_

Product Model Number \_\_\_\_\_

### Original Purchase Information

Company Name \_\_\_\_\_

Address \_\_\_\_\_

City \_\_\_\_\_ State \_\_\_\_\_ Zip \_\_\_\_\_

Phone Number \_\_\_\_\_