



Installation Instructions & User Guide



A&A Manufacturing

Rev. 20200403
© Copyright 2020 A&A Manufacturing. All rights reserved.

Page Left Blank



Prior to Installation



DANGER

Failure to follow all instructions and warnings can result in serious bodily injury or death. Turn off power to the transformer supplying the light before servicing the unit.



WARNING

The QuikBrite LED, adjustable angle light must be installed by a licensed or certified electrician or a qualified pool professional in with the National Electric Code and all applicable local codes and ordinances.



Bonding

The QuikBrite model number 580324, 580367, and 580404 with 316 stainless steel bezel must be bonded in accordance with the National Electric Code using the grounding terminal provided.

IMPORTANT

The installer must read this manual completely before attempting installation. Consult A&A Manufacturing with any question regarding this product. This guide must be left with the pool owner or operator.

The pool owner or operator retain this guide for future reference. This guide contains important information about the installation, operation and safe use of this product.

National Electrical Code requires the top of the light lens to be at least 18" below the water level. The QuikBrite niche must be positioned in order to comply with this requirement.

NOTE:

For the supply connection, use only an isolating low voltage power supply with an ungrounded output, evaluated for swimming pool use.

Do not open the LED light assembly. This light has no user serviceable parts inside.

Do not operate the QuikBrite out of water as overheating will cause intermittent dimming to protect from overheating. While the light has been tested for continuous out of water operation, this is not recommended and may reduce the life of the product.

Components

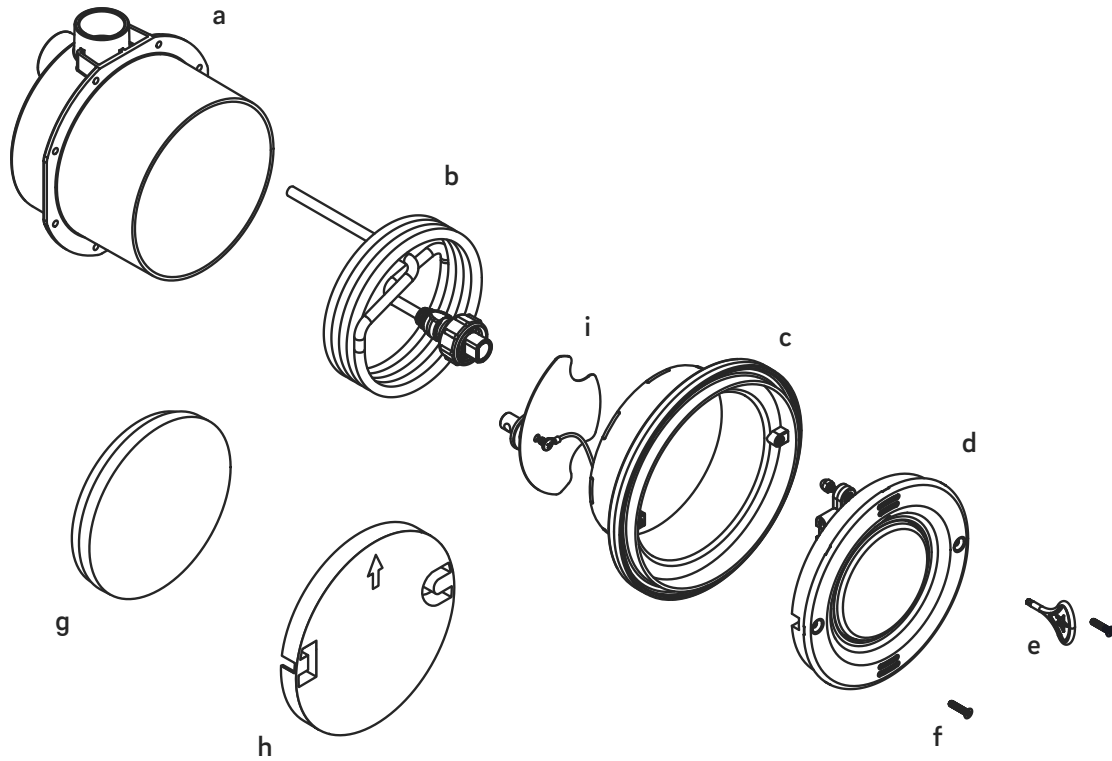


Figure 1

- a. Housing
- b. Quick-connect plug and cord
- c. Mounting ring
- d. Low-voltage LED light
- e. Tilt adjustment tool
- f. Stainless steel screws
- g. Gunite shield
- h. Plaster shield
- i. Optional bonding plate (included with all Stainless Steel Face Rings)

Features

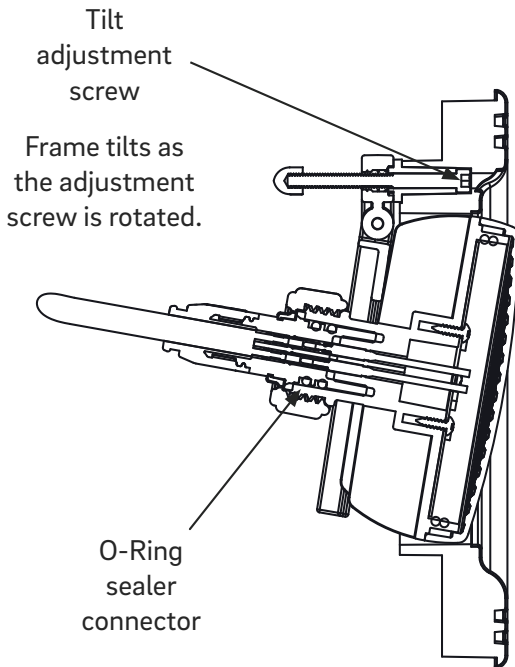


Figure 2

Featuring Adjust-A-Beam technology, the QuikBrite allows the light's angle to be controlled by a full 20 degrees, making it easy to reduce surface glare while highlighting the unique finish and shape of a pool, spa, or fountain at any depth.



Powered by 12 low voltage LEDs, the QuikBrite produces a brilliant bright light while using a fraction of the power of a traditional incandescent or halogen pool light. The long lasting LED bulbs are easy to replace with a quick-connect plug.

The QuikBrite includes a strong PVC niche that is designed to make installation simple. Pre-drilled wire tie holes make it easy to secure the niche, multiple conduit ports provide plumbing flexibility, and the adjustable collar with waterstop provides extra protection against leaks.

Dimming Instructions

1. Cycle the light on and off eight times.
2. Once complete, turn the light on. It will now smoothly dim and brighten from the lowest setting to the highest.
3. When the desired brightness is reached, turn the light off. From this point, once the light is turned on again, the brightness will be set.

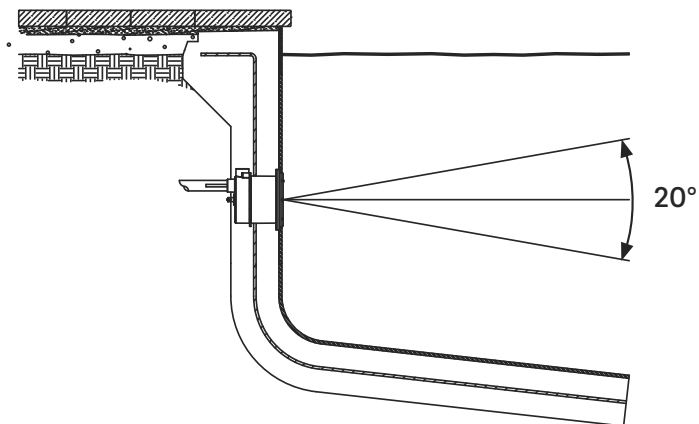


Figure 3

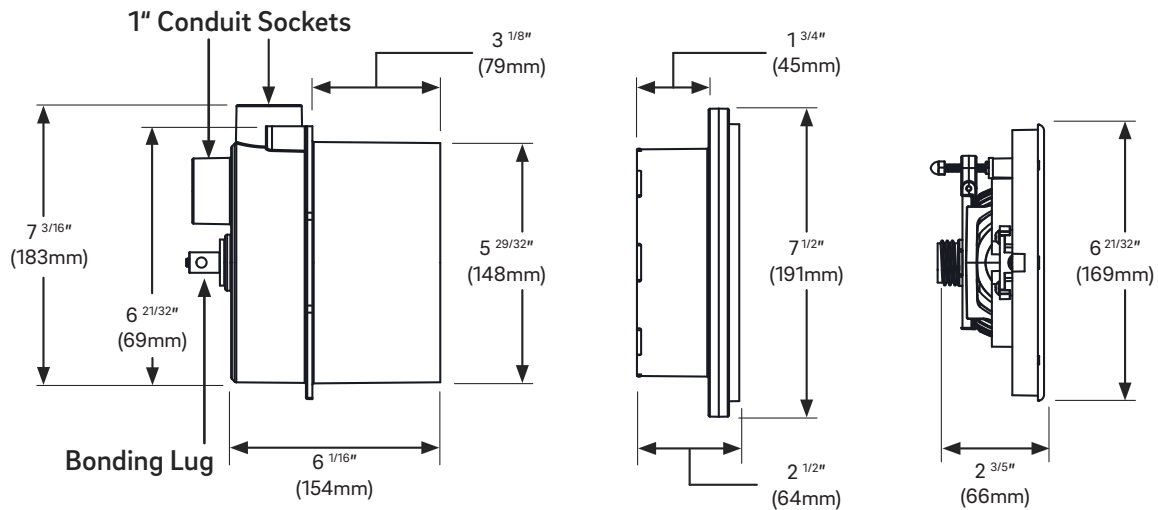


Figure 4

Installation Procedure

Begin by placing the QuikBrite niche such that it is held on all four sides by rebar. The rebar should be set at 10" for a 12" beam and 8" for a 10" beam. It may be necessary to add sections or move existing sections of rebar to ensure that the niche is held in securely.

1. Once the niche has been securely positioned and is held in by the rebar, it must be securely tied to the rebar using tie wire. Pre-drilled holes have been added along the niche's flange for convenience. Tie wire should also be wrapped tightly around the outer circumference of the niche and secured to rebar for additional support.
2. The QuikBrite niche has two conduit ports. Drill-out only the interior tab of the port that is to be used, leave the other tab intact. The niche will accept 1" PVC electrical conduit. Do not use flexible conduit. Attach conduit and securely connect the bonding wire to the niche's outside bonding connector (Figure 4).
3. Attach the provided gunite shield. The gunite shield must be installed in order to prevent gunite or concrete from entering the inside of the niche.
4. The outside bonding connection must be inspected before the concrete or gunite is applied. Follow applicable codes. It's important to maintain a 9" diameter undercut around the outside circumference of the niche to avoid having concrete or gunite harden on it's outer edge (Figure 5).

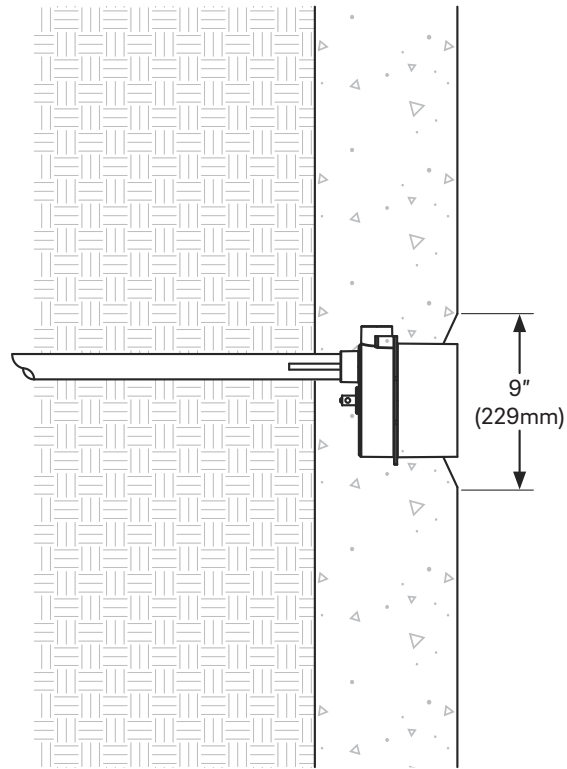


Figure 5

1. Before applying the pool's finish, the gunite shield must be removed. Using PVC glue or construction adhesive, secure the adjustable plaster ring with the integrated waterstop to the inside the QuikBrite's niche. Make sure that proper depth and alignment are maintained so that the pool's finish will be flush with the front face of the adjustable plaster ring (Figure 6). Place the plaster cap into the adjustable plaster ring to avoid debris from entering while applying the finish.
2. To install the pool light, remove the plaster cap and clean any debris that may have entered the niche or the adjustable plaster ring during the construction process.

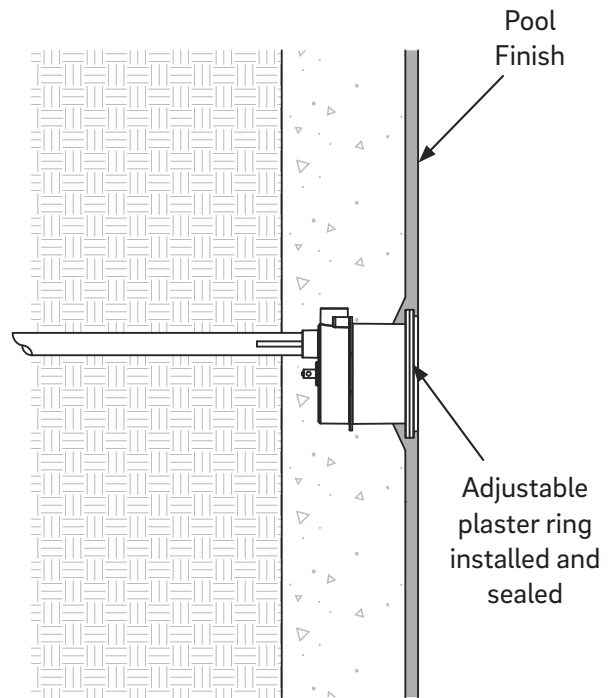


Figure 6

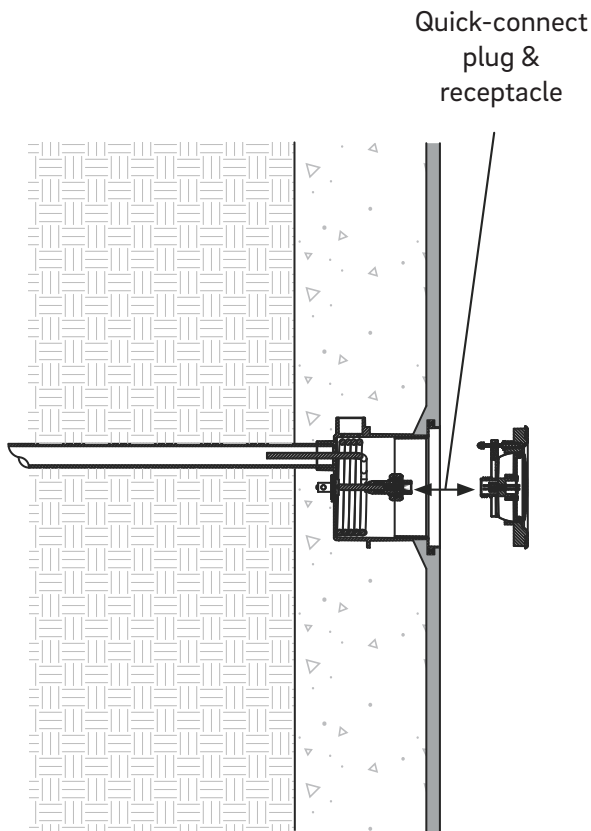


Figure 7

1. Before connecting the quick-connect plug to the back of the LED light, ensure that there are two O-rings located inside the plug, that they are properly lubricated and in good condition. Now fasten the quick-connect cord to the back of the light by screwing down the locking nut clockwise until the connection is fully secured. When the light is removed from the niche, the excess cable should be long enough to allow the QuikBrite to rest on the deck of the pool. When installed, the excess cable should be wound up and placed inside the niche behind the installed LED light (Figure 7).
2. Connect the bonding wire from the light bonding lug to the internal bonding lug inside the niche ensuring that both bonding connections are secure; follow all applicable codes. Securely fasten the light with provided screws onto the adjustable plaster ring.
3. To adjust pool light use the QuikBrite's adjustment wrench and turn the adjustment screw located at the top of the pool light clockwise to tilt the light up and counterclockwise to tilt the light down. The QuikBrite can be tilted 10 degrees up and 10 degrees down, allowing for a total adjustment of 20 degrees.



RBGW Operation & Programming

NOTE:

It may be helpful to first program a solid color other than RED before attempting to adjust the brightness.

Operating & Programming Instructions

These Instructions are for multi-color QuikBrite units only, Part numbers 579809, 579817, 580172, 580181, 579868, 579876, 580236, 580244, 580261, 580279, 579833, 579841, 580201, 580210, 580375, 580383, 580383, 580391, 580404, 581845, 581853, 581870, 581888, 582055, 582063, 582127, 582135, 581992, 582004, 582194, 582207. Please refer to the Programming Chart on the following page for additional information.

Brightness Adjustment Procedure

1. Turn off power for 10 seconds.
2. Turn on power and wait for approximately 10 seconds or for lamp to blink.
3. Within 2 seconds of blink, cycle power 20 times.
4. The lamp will turn RED at full brightness for 5 seconds and then will scan brightness.
5. When the desired brightness is reached, cycle power ONCE. New Brightness is now saved and lamp returns to original program.
6. If no Brightness is selected, the lamp will time out and return to previous brightness.

Programming Chart

Sequence	1	2	3	4	5	6	7
Mode	SAm	Party	Romance	Caribbean	American	California Sunset	Royal

Sequence	8	9	10	11	12	13	14
Fixed Color	Blue	Green	Red	White	Magenta	Hold	Recall



Limited Warranty

To original purchasers of this equipment, A&A Manufacturing warrants the QuikBrite's LED light and niche from defects in materials and workmanship for a period of two year from the date of purchase.

The limited warranty excludes damage from freezing, negligence, improper installation, improper use or care or any Acts of God. Parts that fail or become defective during the warranty period shall be repaired or replaced, at A&A Manufacturing's option, within 90 days of the receipt of defective product, barring unforeseen delays, without charge. Proof of purchase is required for warranty service. In the event proof of purchase is not available, the manufacturing date of the product will be the sole determination of the purchase date. To obtain warranty service, please contact the place of purchase. A&A Manufacturing shall not be responsible for cartage, removal, repair or installation labor or any other such costs incurred in obtaining warranty replacements or repair.

The A&A Manufacturing warranty does not apply to components manufactured by others. For such products, the warranty established by the respective manufacturer will apply. The express limited warranty above constitutes the entire warranty of A&A Manufacturing with respect to its pool products and is in lieu of all other warranties expressed or implied, including warranties of merchantability or fitness for a particular purpose. In no event shall A&A Manufacturing be responsible for any consequential, special or incidental damages of any nature.

Please retain for your records.

Date of Installation _____

Page Left Blank



A&A Manufacturing

QuikBrite Warranty Registration Card

Directions: Please Fill out bottom portion completely and mail within 30 days of purchase or register your product online at www.amfg.com

Please Mail to:
ATTN: WARRANTY DEPT,
A&A Manufacturing
3750 W Indian School Dr, Phoenix AZ 85019

PLEASE PRINT CLEARLY

Owner Information

First Name _____ Last Name _____

Street Address _____

City _____ State _____ Zip _____

Phone Number _____ Purchase Date _____

E-Mail Address _____

Product Model Number _____

Original Purchase Information

Company Name _____

Address _____

City _____ State _____ Zip _____

Phone Number _____