



QuikDekClor[®]

POOLSIDE CHLORINE FEEDER

Installation Instructions & User Guide



A&A Manufacturing

Rev. 20200108

© Copyright 2020 A&A Manufacturing. All rights reserved.

(Blank Page)



Prior to Installation



WARNING

The QuikDekClor must be installed by a licensed or certified plumber or a qualified pool professional adhering to all applicable local codes and ordinances.

IMPORTANT

The installer must read this manual completely before attempting installation. Consult A&A Manufacturing with any question regarding this product. This guide must be left with the pool owner or operator.

ABS to PVC transitional glue must be used between the QuikDekClor body and PVC schedule 40 pipe.

NOTE:

The QuikDekClor is an in-ground chlorine tablet feeder, designed as for use on an independent return line, separate from the in-floor valve. Using the QuikDekClor in a manner outside of its intended purpose may void the warranty.

Included

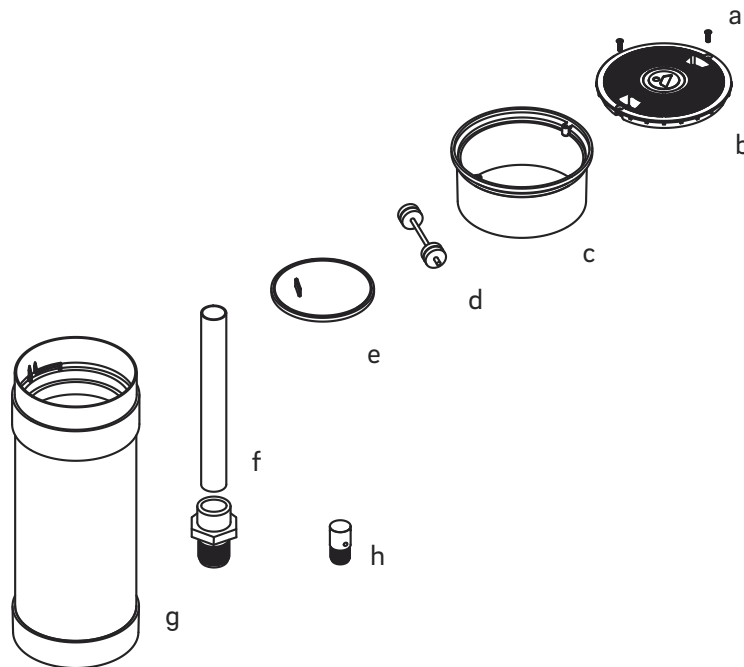


Figure 1

a. #2 Phillips SS screws (qty 2)

b. Lid

c. Deck ring

d. Lock

e. Seal

f. 1" PVC stand-pipe

g. Canister

h. Diverter

IMPORTANT

DO NOT install over steps or benches.

Locating the QuikDekClor

Position the QuikDekClor using the following image (Figure 2).

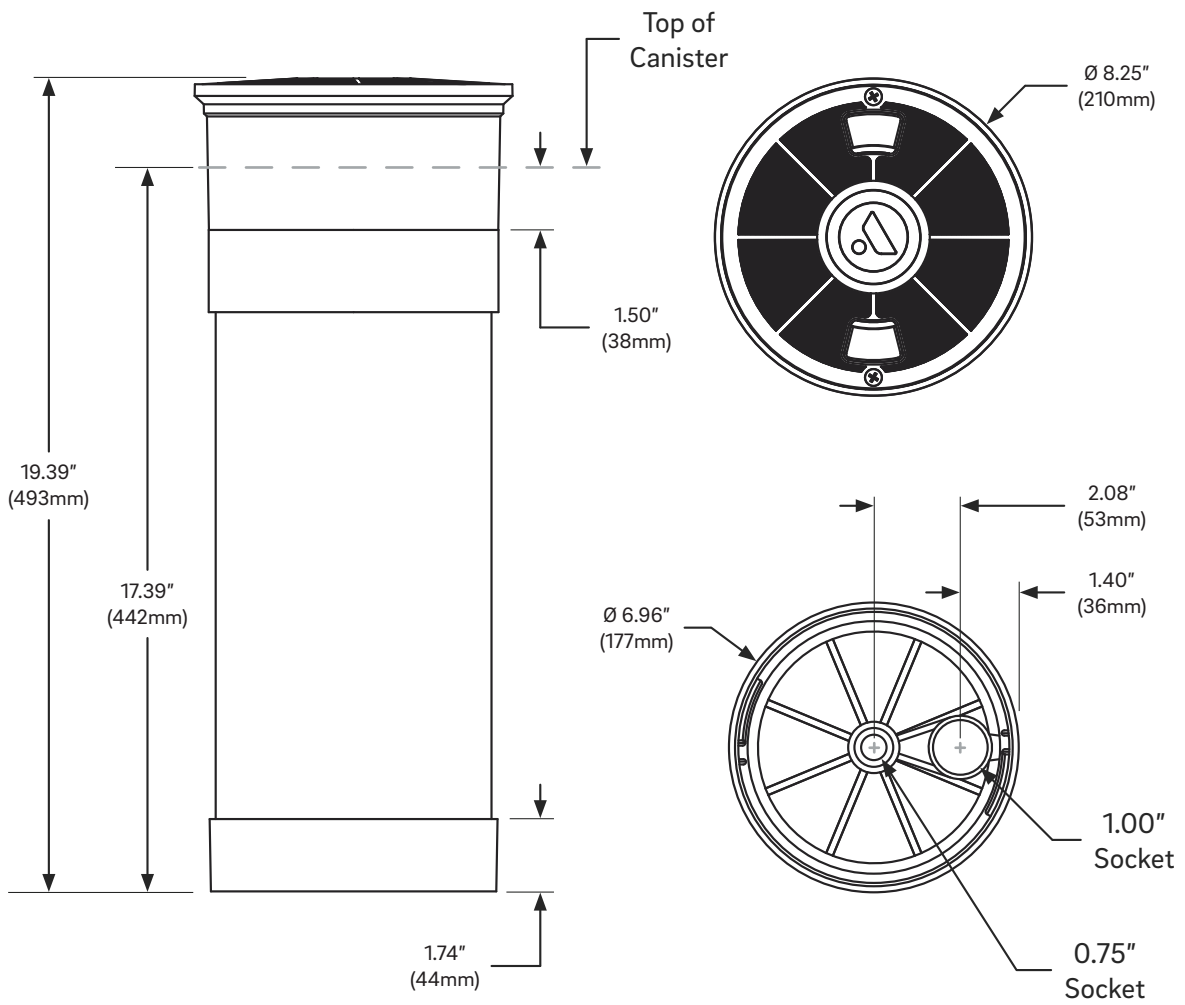


Figure 2

1. To ensure a proper height for poured concrete decks, the top of the QuikDekClor canister should be set 2" above the top of the bond beam and as close to the form as possible. This setting will position with the 1" balance line approximately 15" below the top of the form (Figure 3).

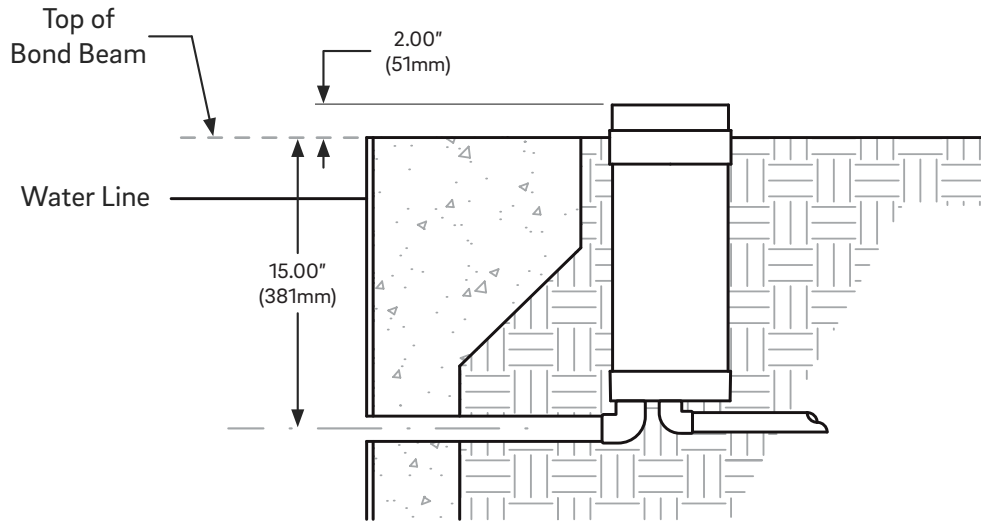


Figure 3

2. When using travertine or other thin deck material, make sure the top of the QuikDekClor canister is flush with the top of the bond beam and as close to the form as possible. This setting will position with the 1" balance line approximately 17" below the top of the form (Figure 4).

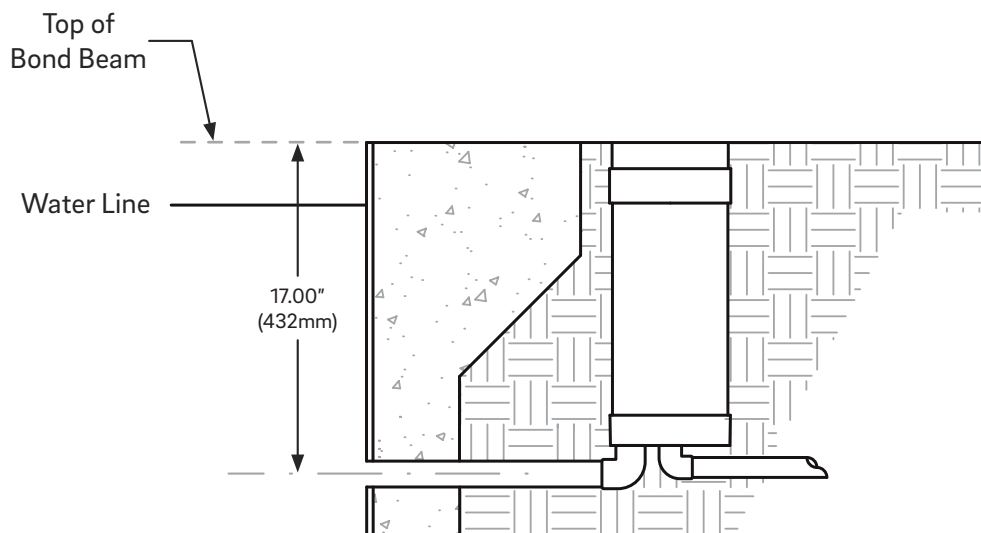


Figure 4

3. Once the desired height for the deck type listed above is identified, the glued connection can be made. The lid and deck-ring can be adjusted and set by the deck personnel.

Plumbing the Balance Line

1. Using 1" PVC the balance line can be installed by gluing a 2 inch long piece of pipe into the bottom of the canister and once that joint has set, dry-fit a 90° elbow (Figure 5a).
2. From the 90° elbow, glue an 18 inch length of pipe and cap the end. Configure the balance line so that it extends into the pool at a 90° angle to the finished pool wall. Now glue the dry-fit 90° elbow in place (Figure 5b).

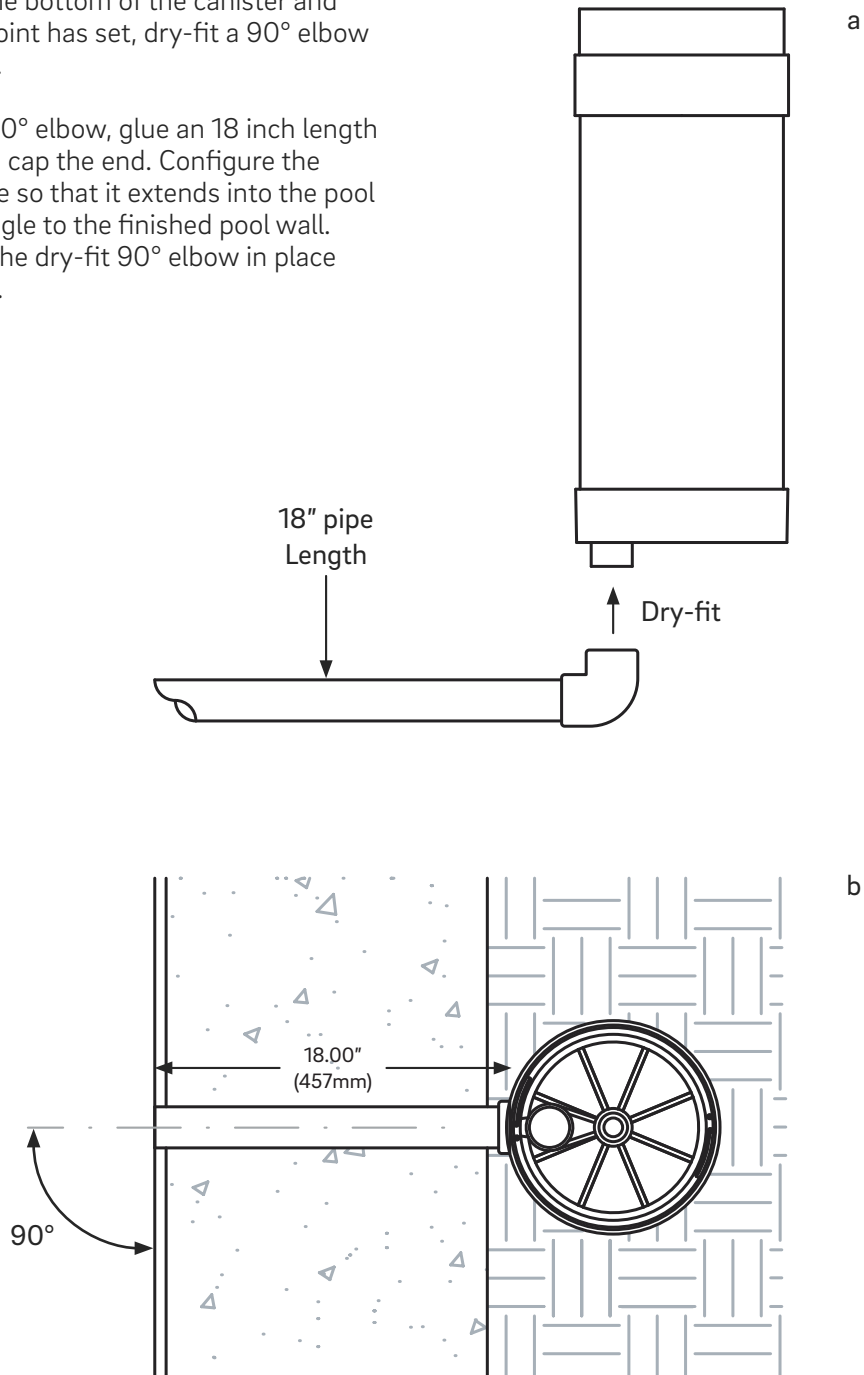


Figure 5

Plumbing the Feed Line

1. After the filter on the circulation return line, plumb a the main-line that will provide the supply water to feed line for the QuikDekClor. Use a gate-valve just below the Tee in the header (Figure 6). This valve will regulate the amount of water flow through the QuikDekClor and ultimately regulate the amount of chlorine that enters the pool.

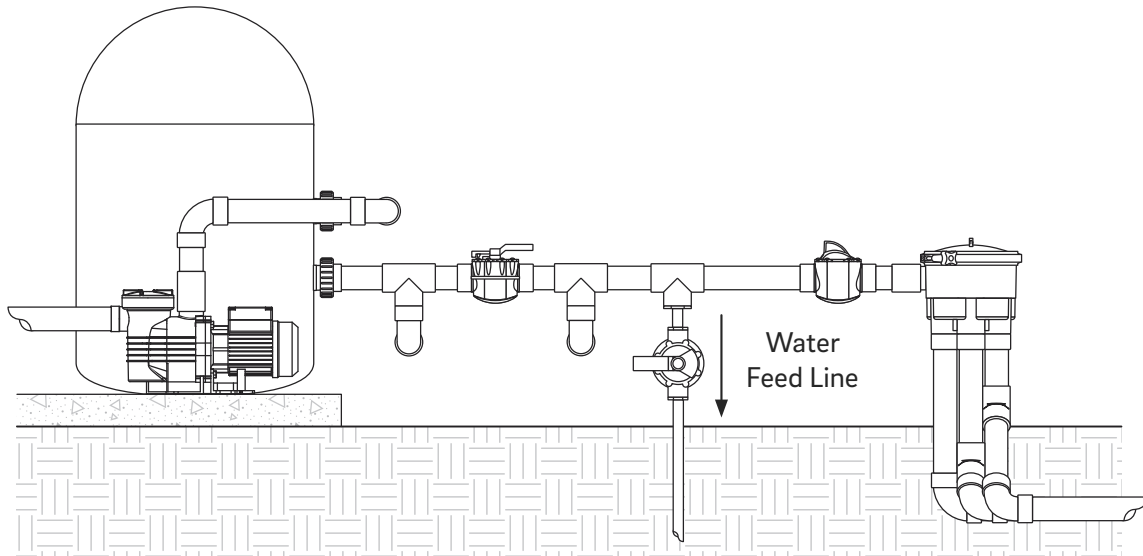


Figure 6

2. Using 0.75" PVC the feed line can be installed by gluing a 1.5 inch long piece of pipe into the center socket on the bottom of the canister and once that joint has set, dry-fit a 90° elbow.
3. From the 90° elbow, glue an 18 inch length of pipe and cap the end. Configure the feed line so that pipe lines up with the main-line coming from the 0.75" gate-valve. Now glue the dry-fit 90° elbow in place (Figure 7).

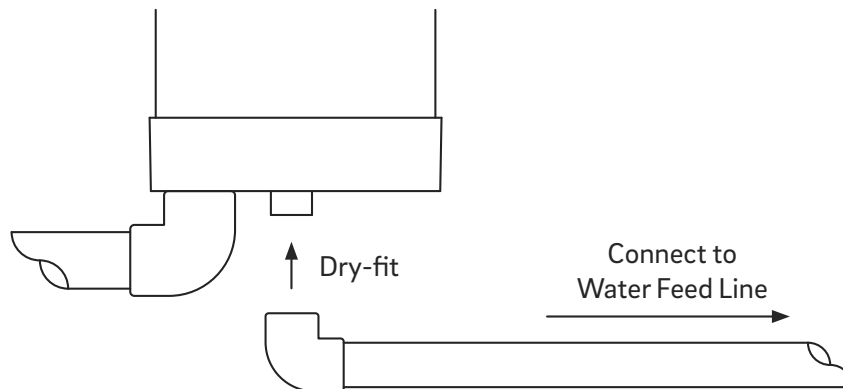


Figure 7

2. A membrane has purposefully been molded over the top of the 0.75" inlet port. This must remain intact to allow for pressure testing the feed line. Prior to the start-up, this membrane must be drilled out with a minimum of a 3/8" drill bit. Care should be taken not to drill too deep and damage the plumbing that has been glued into the bottom of the canister. (A drilling tool is available for purchase that will automatically center the drill bit and provide a depth stop for perfectly drilled holes.)

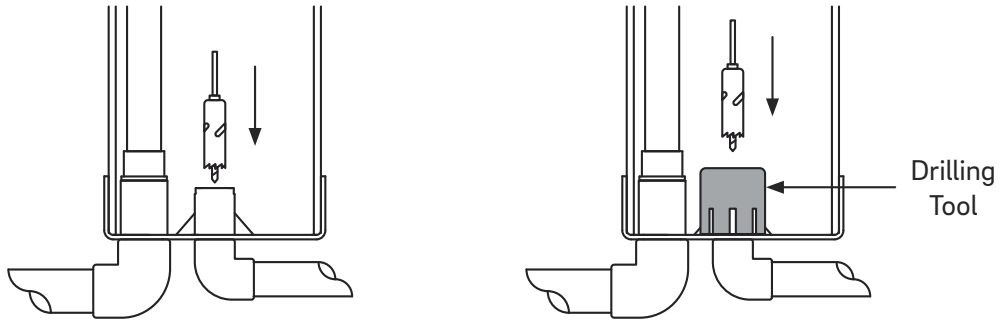


Figure 6

2. Install the 1" threaded male adaptor (Figure 7a) and fill the canister with water to gravity test the tank and glue joints.
3. At start-up, the 1" PVC stand-pipe, inside the QuikDekClor canister, should be cut so that it extends approximately one inch above the pool's water level. Once trimmed to the appropriate length, push the stand-pipe into the supplied female adapter at the bottom of the canister (Figure 7b).
4. Now the diverter can be installed into the 0.75" inlet port, in the bottom center of the canister (Figure 7c).

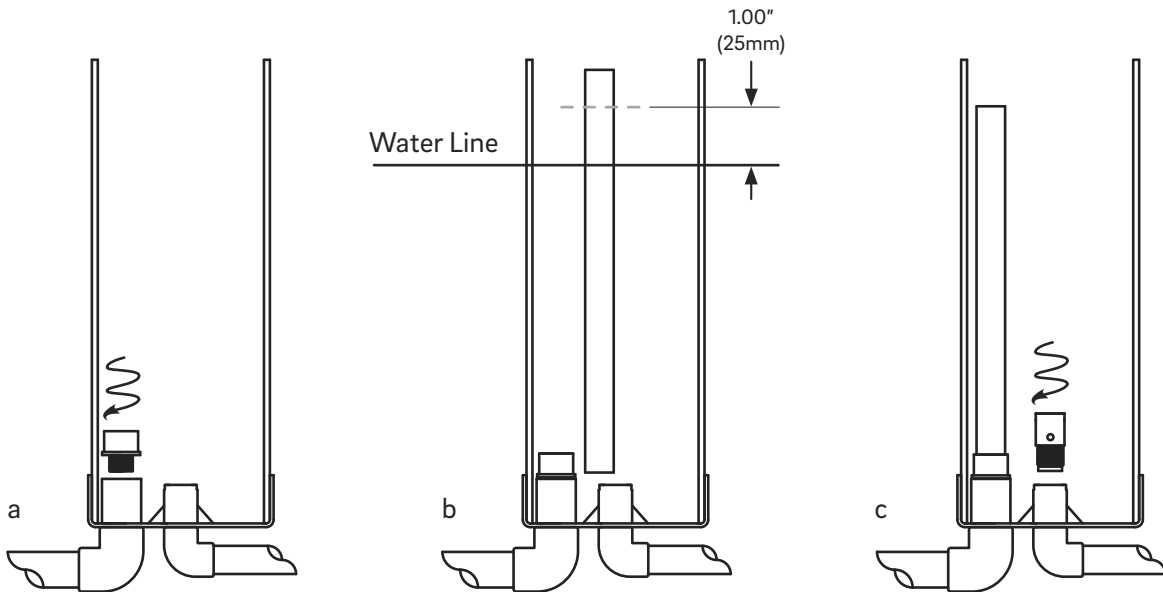


Figure 7



Limited Warranty

To original purchasers of this equipment, A&A Manufacturing will warrant the QuikDekClor from defects in materials and workmanship for a period of one year from the date of purchase.

The limited warranty excludes damage from freezing, negligence, improper installation, improper use or care or any Acts of God. Parts that fail or become defective during the warranty period shall be repaired or replaced, at A&A Manufacturing's option, within 90 days of the receipt of defective product, barring unforeseen delays, without charge. Proof of purchase is required for warranty service. In the event proof of purchase is not available, the manufacturing date of the product will be the sole determination of the purchase date. To obtain warranty service, please contact the place of purchase. A&A Manufacturing shall not be responsible for cartage, removal, repair or installation labor or any other such costs incurred in obtaining warranty replacements or repair.

The A&A Manufacturing warranty does not apply to components manufactured by others. For such products, the warranty established by the respective manufacturer will apply. The express limited warranty above constitutes the entire warranty of A&A Manufacturing with respect to its pool products and is in lieu of all other warranties expressed or implied, including warranties of merchantability or fitness for a particular purpose. In no event shall A&A Manufacturing be responsible for any consequential, special or incidental damages of any nature.

Please retain for your records.

Date of Installation _____



A&A Manufacturing

QuikDekClor Warranty Registration Card

Directions: Please Fill out bottom portion completely and mail within 30 days of purchase or register your product online at www.amfg.com

Please Mail to:
ATTN: WARRANTY DEPT,
A&A Manufacturing
3750 W Indian School Dr, Phoenix AZ 85019

PLEASE PRINT CLEARLY

Owner Information

First Name _____ Last Name _____

Street Address _____

City _____ State _____ Zip _____

Phone Number _____ Purchase Date _____

E-Mail Address _____

Product Model Number _____

Original Purchase Information

Company Name _____

Address _____

City _____ State _____ Zip _____

Phone Number _____