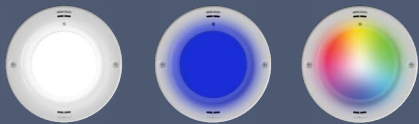


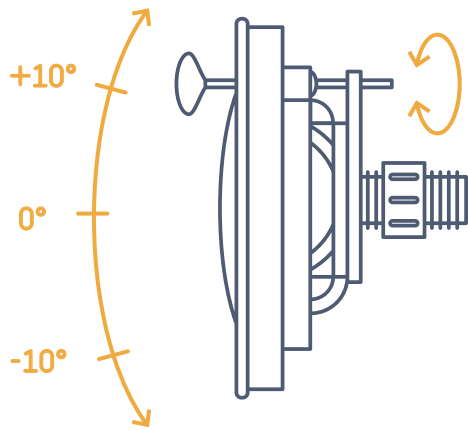
QuikBrite®
LED LIGHTING



Bright new ideas in
LED pool lighting.



Highlight the unique finish and shape of your pool, spa, or fountain with QuikBrite LED Lighting from A&A Manufacturing. Brilliant, energy efficient, and easy to install, QuikBrite is also adjustable, with up to 20 degrees of angle rotation for a truly customizable nighttime experience. Available for new construction and retrofit for both pool and spa.



Better Design, Better Performance

LED's per light:

Blue/White 12 LED's
RGBW 8 LED's

Lumens

White 1247 lumens
Blue 420 lumens
RGBW Varies

Wattage Used

Blue/White 13.2 watts
RGBW 17 watts

Kelvin Rating

White 3952 K CCT

★ Only Adjustable Light in the Industry

Easy to adjust the LED lens angle 10 degrees up or down.

★ Multiple Color Options

Available in Blue, White, and RGBW versions to excel in any application.

★ New and Retro Lights Available

Replaces *Pentair Amerlite Pool Light* and *SpaBrite Incandescent* lamps, as well as the *AquaLight* quartz halogen lamp.

Dimmable LEDs

Dimming compatible LED light technology down to 1.2%**.

Easy-to-Install QuikConnect Plug

Available in 50', 100', and 150' cords with QuikConnect plug. No need to pull new cable if replacing light in future.

Low-Wattage, High-Efficiency

Industry-leading low wattage means LEDs emit minimal heat.

Works with Major Controllers

Compatible with Pentair, Jandy, and Hayward controllers.

High-Quality Light Trim Options

Available with White, Gray, Black, and Stainless Steel*.

*Must be used with Bondable Niche ** Available in white non-dimmable for semi-commercial pools per code.

